



installation and user instructions

All instructions must be handed to user for safekeeping

Revision A - 06/09

Country(s) of destination - GB/IE



eko 1020

electric fan heater

Section	Contents	Page No.	Section	Contents	Page No.
1.0	Important Notes	1	5.1	Fitting the Decorative Frame	2
2.0	Installation Requirements	1	6.0	Operating the Appliance	2
3.0	Appliance Data	1	6.1	Safety Cut-out System	3
4.0	Unpacking the Appliance	1	7.0	Maintenance	3
4.1	Component Checklist	1	8.0	Cleaning	3
5.0	Installing the Appliance	2	9.0	Spares	3

1.0 IMPORTANT NOTES

DO NOT use this appliance immediately below a fixed socket outlet.

DO NOT use this appliance in the immediate vicinity of a bath, shower, swimming pool or other area where water/moisture could present a hazard.

- CAUTION: This appliance must not be used in conjunction with any timer, programmer or thermal control, or any other device that will switch on the appliance automatically, as a fire risk may occur if the heater is accidentally covered or displaced.
- Do not allow the heater to be covered as this may cause overheating. The appliance must not be placed near curtains or similar material. A clearance space of at least one metre should be allowed in front of the appliance.
- The electrical socket that the appliance uses **MUST** be easily accessible. Do not route the supply cord directly in front of the heater unit.
- If the cord is damaged, it must be replaced by a service agent or competent person.
- This appliance is not intended for use by persons (including children) with reduced physical, sensory or mental capabilities, or lack of experience and knowledge, unless they have been given supervision or instruction concerning use of the appliance by a person responsible for their safety.
- Children should be supervised to ensure that they do not play with the appliance.

2.0 INSTALLATION REQUIREMENTS

The appliance is suitable for installation into all surrounds with an opening of 416mm by 559mm (16" by 22").

The appliance is supplied with 2 spacer frames enabling it to be fitted with no need for a recess into a wall or surround back panel. Each spacer frame has a different depth, and once detached from the frame and fitted individually the mounting depths can be either 70 or 45mm. Alternatively the appliance can be fully recessed if the opening depth is 120mm or greater and neither spacer is used.

It may be installed directly into any proprietary surround which can house this size of rebate, without the need to recess the appliance into a wall opening or fabricate a false chimney breast.

This appliance should be positioned on a firm level surface that is free of dust, lint and pet hair/dander and should be maintained as such. If the fire is to be sited in a fire surround then the suitability of the surround for use with electric heaters should be established with the fire surround manufacturer.

3.0

APPLIANCE DATA

Supply Voltage	230V - 240V, 50Hz	Fuse Rating	13 Amp
Heating Elements	2 x 1000W	Lighting	1 x 60W BC bulb

If fitted into an open draught fireplace, it is advisable to blank off the chimney to reduce the risk of draught through the fire, which may cause the safety cut out system in the fan heater to operate.

4.0 UNPACKING THE APPLIANCE

Read **all** the instructions before continuing to unpack or install this appliance. Remove the boxes and any other loose fittings from around the heater. When all loose parts have been removed, carefully lift the appliance from the carton. Check that the contents correlate with the component checklist below. Please dispose of all packaging with care at your local recycling centre.

4.1 COMPONENT CHECKLIST

QUANTITY	DESCRIPTION	QUANTITY	DESCRIPTION
1	Heater Main Body	1	User Instruction Booklet.
1	Decorative Front Frame/Magnets	3	Neoprene Securing Strips
1	Cable Fixing Kit	1	Rawl Plug
1	Orange Coloured Moulded Fuel Bed	1	Eyebolt
1	Front Fret/Ashpan Door		

5.0 INSTALLING THE APPLIANCE

To ensure the appliance is positively located into position, it is necessary to secure it in place using one of the following methods, either with the cable fixing kit, or the double-sided neoprene strips included in the instruction pack. Freestanding fires should use the neoprene strip method only.

Fixing by Neoprene Strips

In normal installation circumstances, this method of fixing is satisfactory for use with marble, stone, laminate, or any smooth faced mounting surface. Peel off the adhesive backing from one side of each strip and apply to the periphery of the rear of the appliance frame, as shown in the Fig.1. Ensure that the strips are not applied any closer than 5mm (1/4") from the edge of the frame. Tear off any excess lengths of strip to form a neat border around the frame.

Before finally fitting the appliance into its location, remove the remaining strips of adhesive backing, ensure that the mains cable and plug are properly routed, locate the fire into the opening and press firmly around the edge of the frame to allow the strips to adhere to the back panel of the surround.

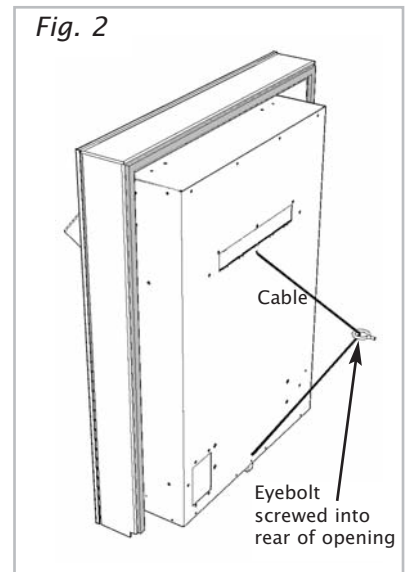
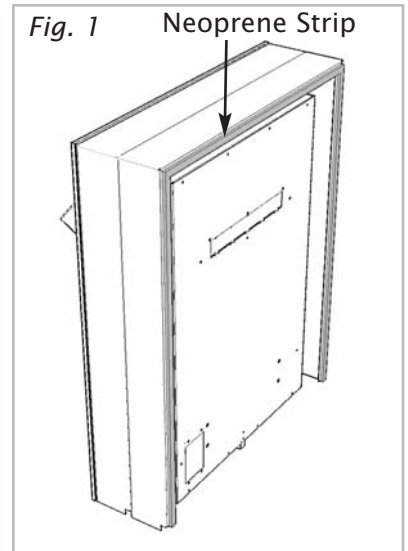
Fixing by Cable Fixing Kit

This method of securing is normally necessary when the mounting surface is of a rough texture, i.e. stone or brick.

Firstly mark and drill a suitably sized hole in the centre of the proposed appliance location, 250mm up from the hearth surface, or floor if no hearth is to be used. Insert the rawlplug into the hole, then screw in the eyebolt.

Withdraw the fuel bed and then the transparent flame effect screen by removing the two screen clamps, which are each held in place by two screws, one at the base the other at the top in to the hood. Insert the cable through the central hole in the back of the appliance (Fig.2), through the eyebolt and through the hole in the lower rear of the appliance. The screen can now be refitted with the textured side facing forward and secured under the screen clamps (reversing the previously described method), adjust the screens height to suit the fuel beds 'legs.' Remove the light bulb from its mounting by pushing it in and twisting. Thread the cable through the small hole in the front panel. Locate the appliance into its opening and pull the cable taught. Slide on the screwed nipple and keeping the cable reasonably taught, tighten the nipple to secure (Fig.2). Replace the light bulb. The remainder of the cable may be coiled up and tucked behind the front when fitted, or fed back into the appliance through the hole and neatly coiled in the base, ensuring it does not come in to contact with any part of the flame effect motor. Fit the fuel bed and decorative front frame.

NOTE: When using this cable fixing method, the additional depth of the eyebolt must be taken into account. Therefore, using this method will increase the minimum mounting depth of the appliance by 20mm.



5.1 FITTING THE DECORATIVE FRAME/FRET

Remove the decorative frame from its packaging, and remove any protective film coverings. The frame is attached to the appliance with the supplied magnets equally spaced around the frame assembly.

Carefully offer the frame up to the appliance, ensuring that the top part of the frame aperture sits squarely above and at both sides.

With the frame in the correct location it should sit snugly to all parts of the appliance, and the magnets will retain it in this position.

Finally ensure that the Fret/ashpan is positioned as shown in Fig 3 opposite.

Note: Fig 3 shown with appliance hearth mounted. Hearth not supplied with appliance.



6.0 OPERATING THE APPLIANCE

Check that the fan outlet is not covered or obstructed in any way and ensure the power to the fire is switched on.

The appliance is controlled using four switches, mounted under the lift up hood. The left switch (OI) controls the main power to the fire and switches on the fuel effect, which can be used independently of heat for visual effect only. The second switch (*) operates the fan blower without heat, which can be used in the summer for cool air circulation. The switch marked with a single bar (I) operates the fan heater on the LOW setting (1kW). The switch marked with two bars (II) operates the fan heater on the HIGH setting (2kW).

To operate the fire, the left switch must be turned on first, followed by the second switch to start the blower, if required. To obtain heat from the appliance, the I switch must then be operated for LOW (1kW) of heat, followed by the II switch for the HIGH setting (2kW). It is not possible to obtain heat from the appliance without first switching on the main power switch (OI) and the fan blower switch (*) in conjunction with either the LOW (I) or both the LOW and HIGH (II) switches.

6.1 SAFETY CUTOUT SYSTEM

This appliance has a safety cutout system fitted, which will activate if the air inlets or outlets are obstructed. For safety reasons the fire will NOT switch on again automatically, the following procedure must be carried out before the fire can be operated.

NOTE: The visual effect will remain operational if the cutout is activated; only the fan heater is prevented from working.

Switch OFF the appliance **at the wall socket or outlet**. Leave the fire OFF for a period of no less than 10 minutes, ensuring all obstructions are removed. Switch the appliance ON **at the wall**. Ensure the appliance is turned ON at the control switches. If the fire fails to operate correctly, repeat the above procedure. If an attempt to switch on the appliance is made before the safety cutout has reset, the appliance may cutout for a further period of time. If the sequence has been followed correctly and the appliance still fails to function, check the fuse in the wall outlet. If this is not the cause, call an electrician or maintenance engineer.

7.0 MAINTENANCE

ALWAYS DISCONNECT THE APPLIANCE FROM THE MAINS SUPPLY BEFORE UNDERTAKING ANY MAINTENANCE.

Excluding lamps and fuses, use only genuine spare parts available from your supplier. Replacement lamps must be of the same wattage and specification as those stated in Section 3.0 Appliance Data.

Replacing the light bulb.

The fuel effect bulb can be replaced by firstly removing the fire front (magnetically attached), and then by following the steps described.

1. Disconnect the appliance from the mains.
2. Withdraw the fuel bed by pulling it gently towards you.
3. Remove the light bulb. Note that the bulb has a conventional bayonet fitting. Replace with a new bulb. A conventional pearl type bulb rated no greater than 60 Watts is suitable.
4. Refit the fuel bed.
5. Replace the fire front.

8.0 CLEANING

There is no specific requirement for care of the fire other than a regular cleaning of the general appliance.

DO NOT use abrasive cleaners as they can damage the finish. The frame and fret may be cleaned using a appropriate metal polishes.

The area around the fire should be kept free of lint, pet hair/dander and other extraneous material that could be drawn into the workings of the appliance and affect its performance.

9.0 SPARES

Refer to Section 3.0 Appliance Data for lamp and fuse specification. Excluding lamps and fuses, use only genuine manufacturers spare parts available from your supplier.

There are no internal user serviceable parts.

Check regularly for security of wall fixings as appropriate. Also check security of supply cable and connections. If the supply cable becomes damaged, it must be replaced by a service agent or competent person, such as a qualified electrician.

The wires in the cable are coloured in accordance with the following code:

LIVE - Brown
NEUTRAL - Blue
EARTH - Green/Yellow

Manufactured by :

Focal Point Fires plc.
Christchurch, Dorset BH23 2BT
Tel: 01202 588 638 Fax: 01202 588 639
www.ekofires.co.uk
e-mail: sales@ekofires.co.uk



Waste electrical products should not be disposed of with household waste. Please recycle where facilities exist. Check with your local authority or retailer for recycling advice.

As our policy is one of continuous improvement and development, we hope therefore you will understand we must retain the right to amend details and/or specifications without prior notice.